



Datenblatt - Fiche technique - Data sheet

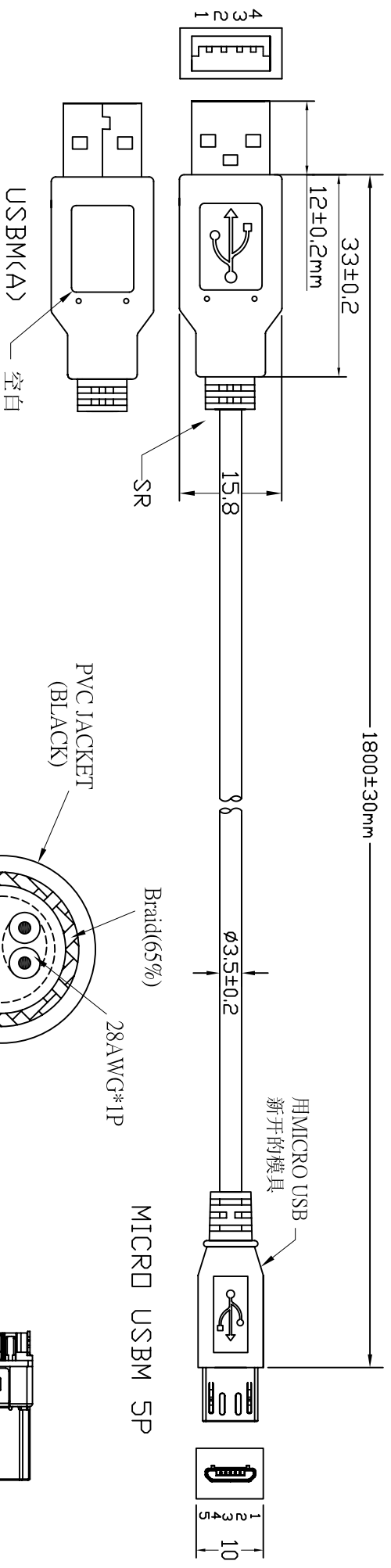
11.02.8752



ROLINE USB 2.0 Kabel, USB A ST - Micro USB B ST, 1,8m

ROLINE Câble USB 2.0, USB A mâle - Micro USB B mâle, 1,8m

ROLINE USB 2.0 Cable, A - Micro B, M/M, 1.8 m



此结构图中间不需要在另加地线

- NOTE: 线材印字: USB2.0 CABLE 28AWG/1P+28AWG/2C E314459 冗 AWM 2725 80°C 30V VW-1
1. CABLE:UL2725,USB 2.0,AL+B-FDIL,#28*1P+#28*2C,BLACK COLOR,DD=3.5mm,PVC JACKET.
(AL/MG 65%,double shielded, bare copper conductor,)
 2. LENGTH: 1.8M.
 3. CONNECTORS:USB4P(A)TYPE PLUG*(BLACK INSULATOR)(PIN 30U'').
MICRO USBM 5P*(BLACK INSULATOR)(PIN 30U'').
 4. MOLD:MOLDING USB TYPE.
 5. CONTACTS:

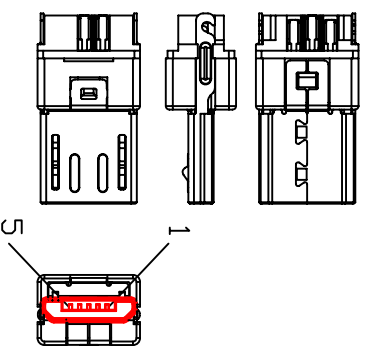
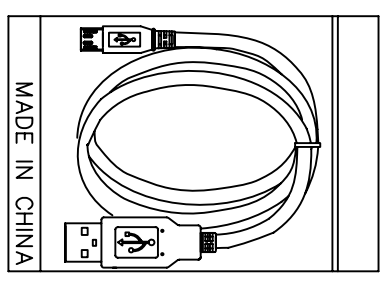
USB4P(A)	1	2	3	4	64
MICRO USB5P	1	2	3	5	64
	RED	WHITE	GREEN	BLACK	DRAIN

PAIR

6. OPEN/SHORT TEST: 100% TEST.
INSULATION: 2M.

1PCS/PE BAG(100*200*0.06)

COMPANY	RLA	ITEM NO.	11.02.8752-A	NO	B5538		
REVISION	DATE	DISCRIPTION	DRAWN BY				
REV.A/0	2009.11.17	A10-2911012	DESIGNED BY				
REV.A/1	2009.12.01	增加线材印字	APPROVAL BY				
SCALE			NON		UNIT (mm)		
DRAWING NO.					DRAWING NO.		



Rotronic Co.,Ltd.